

12

11

10

9

8

7

6

5

4

3

2

1

H

H

G

G

F

F

E

E

D

D

C

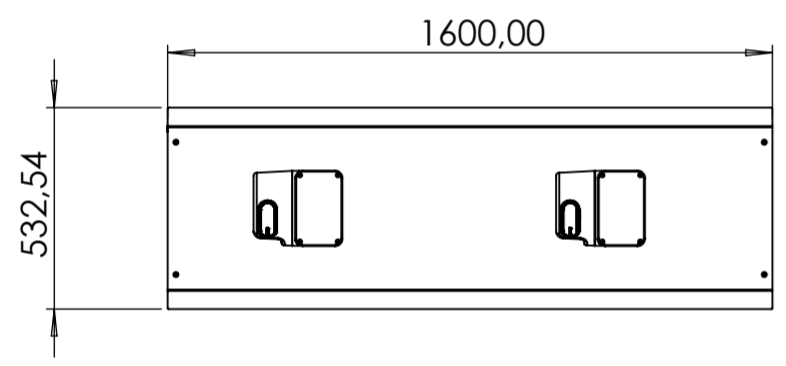
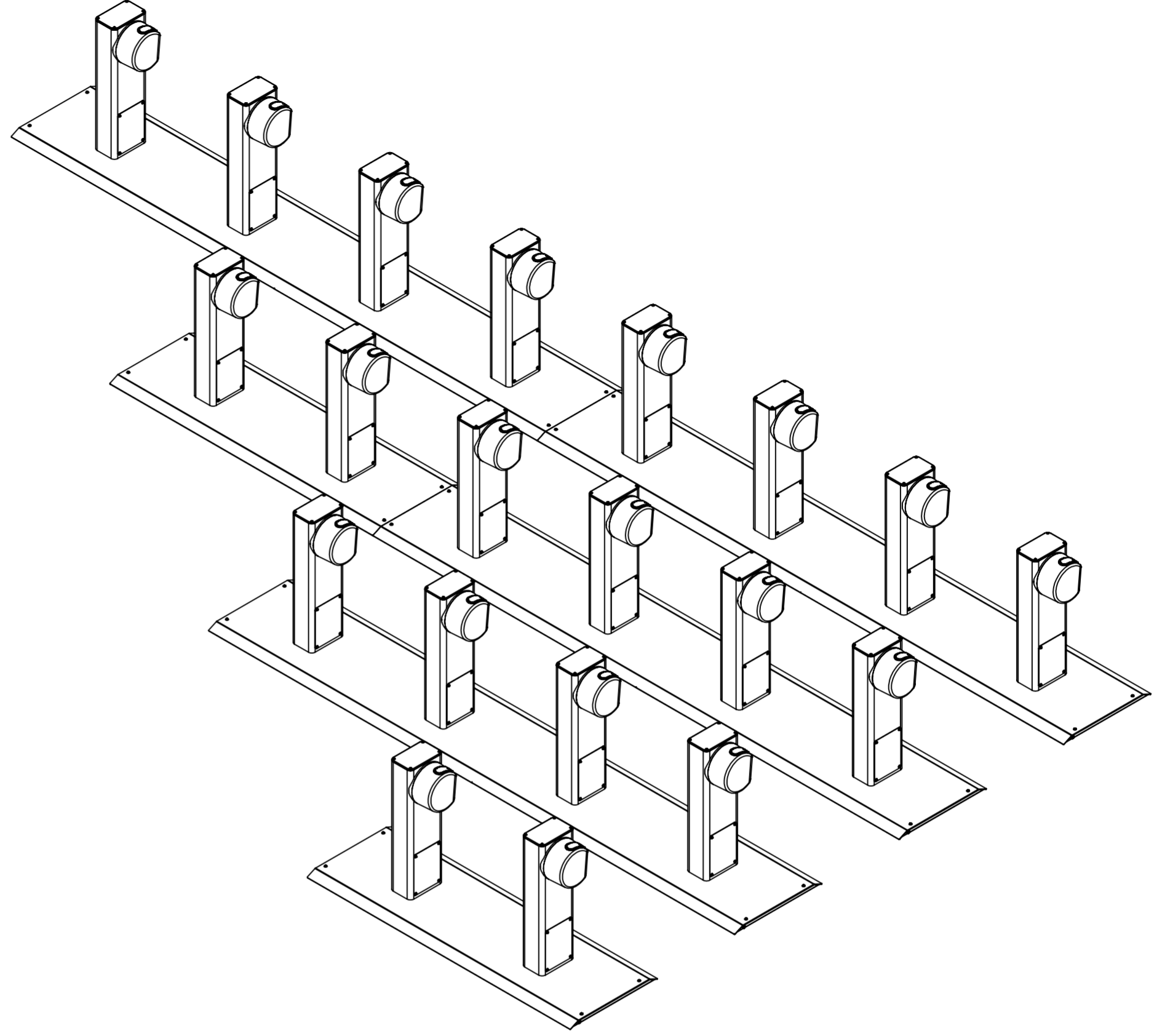
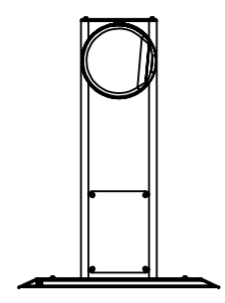
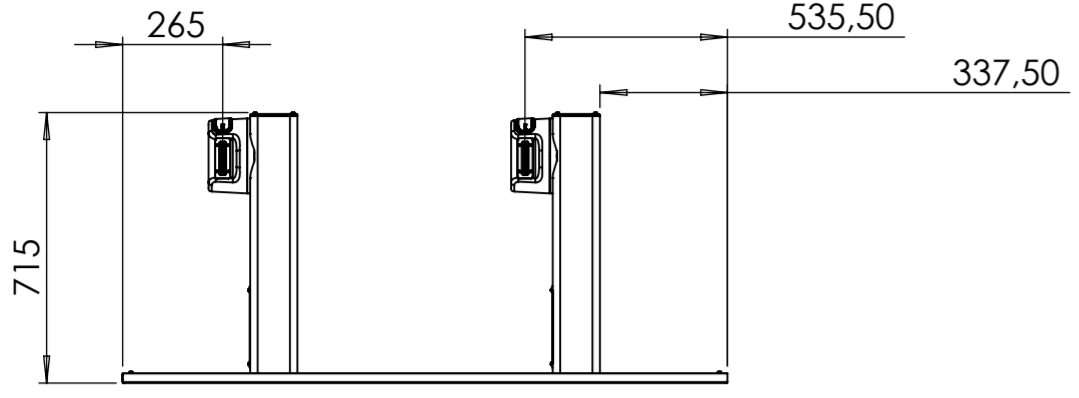
C

B

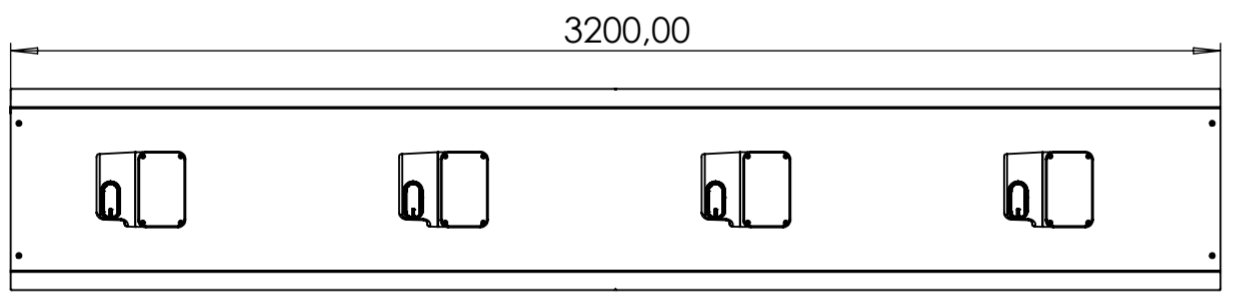
B

A

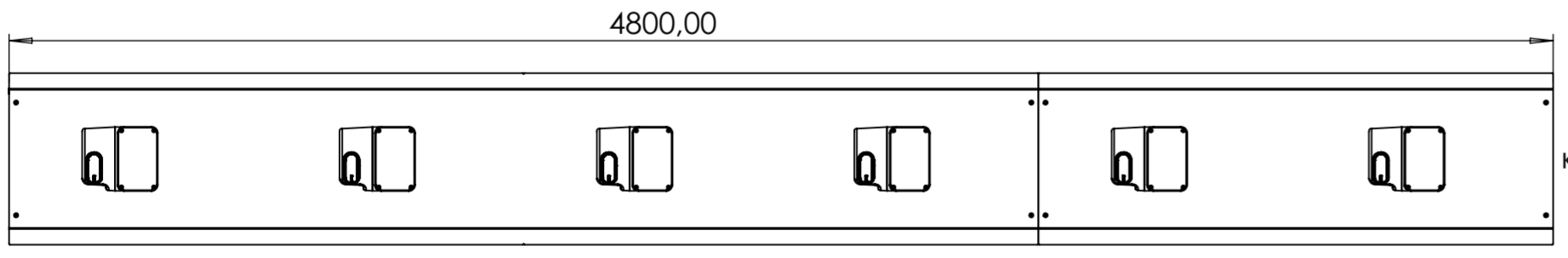
A



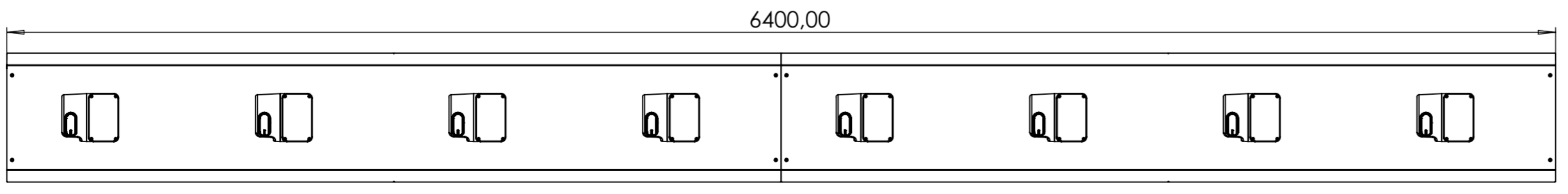
K00000333A_STATION 2P STANDARD



K00000334A_STATION 4P STANDARD

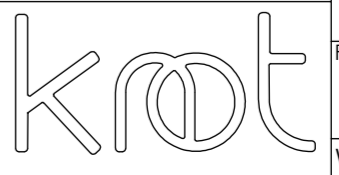


K00000335A_STATION 6P STANDARD



K00000336A_STATION 8P STANDARD

THIS DOCUMENT IS THE PROPERTY OF KNOT
ALL RIGHTS STRICTLY RESERVED. USE,
REPRODUCTION OR DISCLOSURE TO THIRD
PARTIES, OF THE CONTENTS IN ANY FORM,
WHATSOEVER, IS NOT PERMITTED WITHOUT
AGREEMENT FROM KNOT.



| | | | |
|------------------------------|--|----------------------|------------|
| Nature of revision: Creation | | | |
| General tolerances: | | NAME | DATE |
| / | | AUTHOR | 04/10/2023 |
| Material: | | DESCRIPTION | |
| Finish: | | MASTER V6 STANDARD | |
| Brut/ Raw | | FORMAT | REFERENCE |
| | | A2 | K00000002 |
| | | REV | A |
| | | Weight: 3679840.161g | SHEET 1/2 |

12

11

10

9

8

7

6

5

4

3

2

SCALE: 1:20

12

11

10

9

8

7

6

5

4

3

2

1

H

H

G

G

F

F

E

E

D

D

C

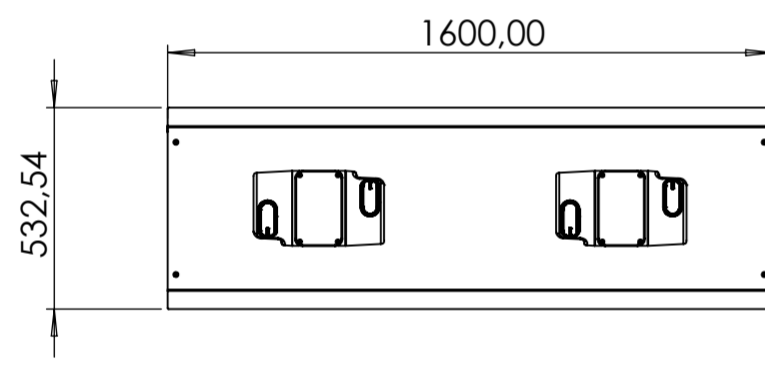
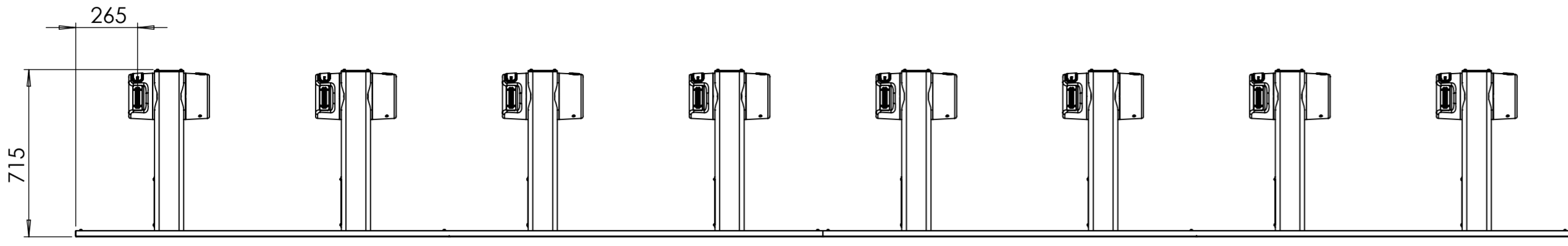
C

B

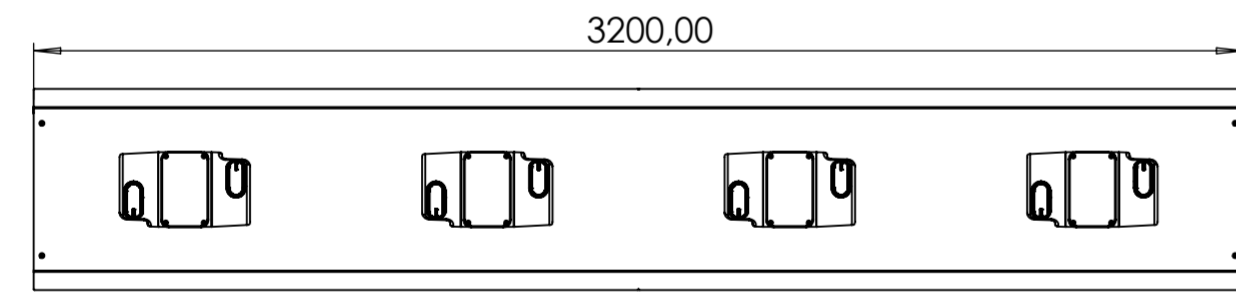
B

A

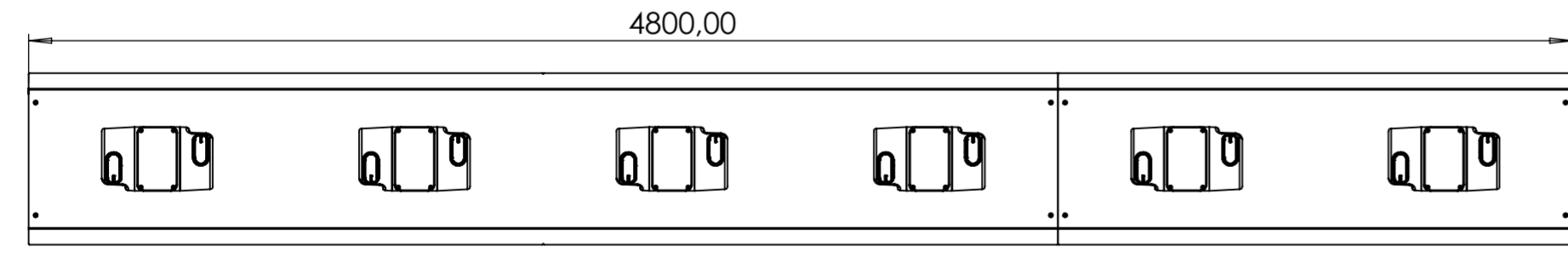
A



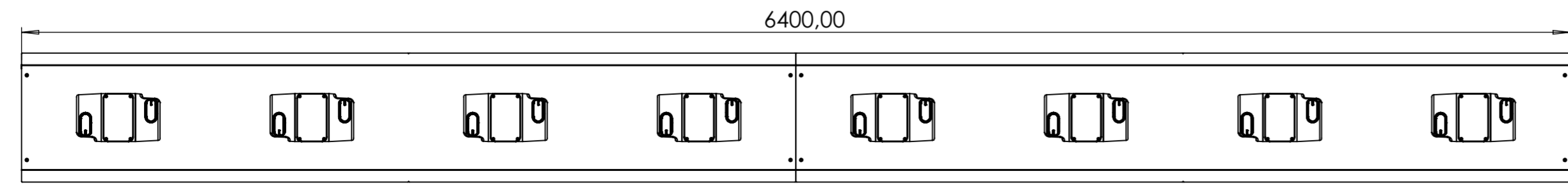
K00000333A_STATION 2P STANDARD



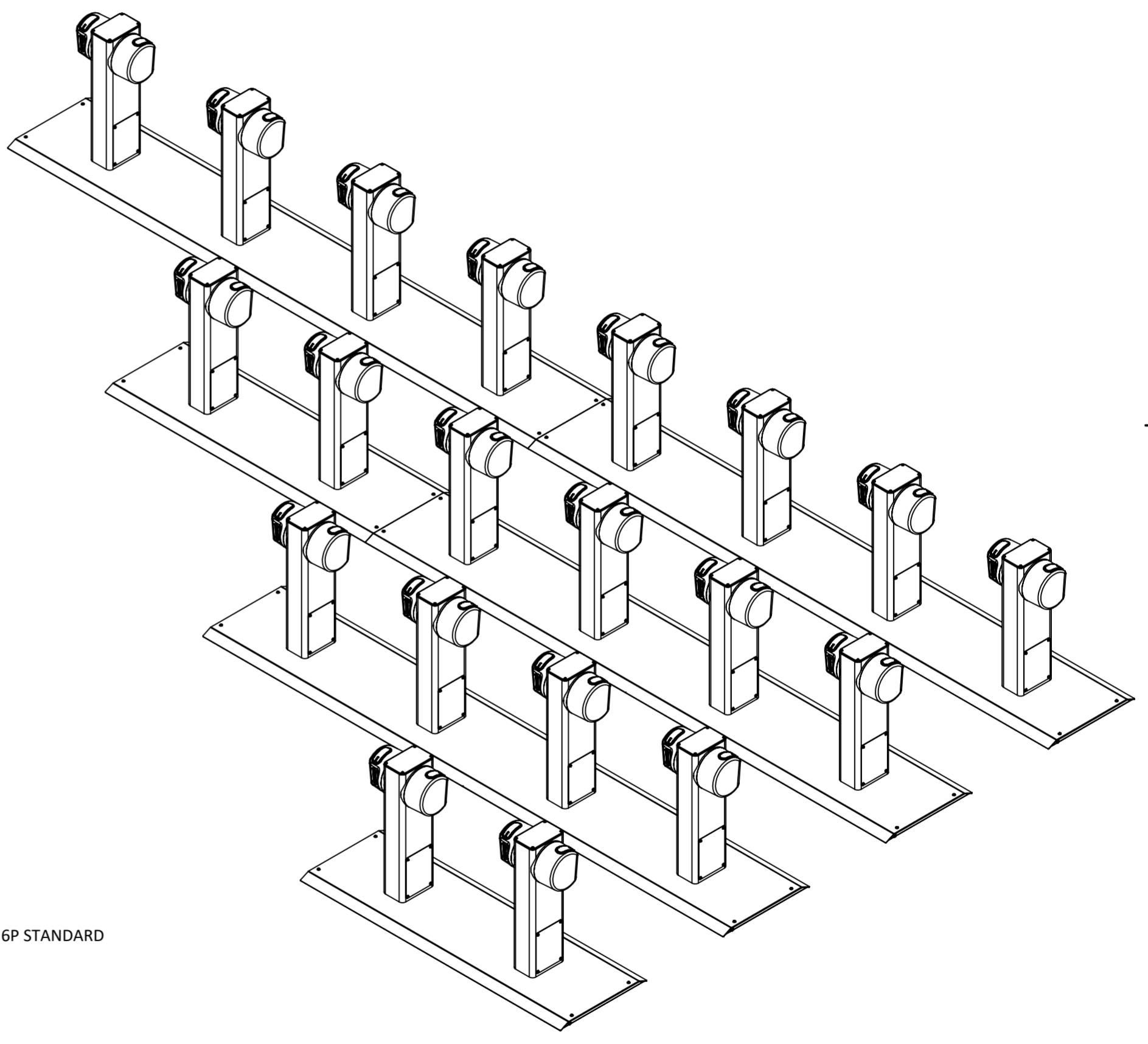
K00000334A_STATION 4P STANDARD



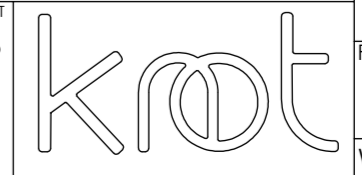
K00000335A_STATION 6P STANDARD



K00000336A_STATION 8P STANDARD



THIS DOCUMENT IS THE PROPERTY OF KNOT
 ALL RIGHTS STRICTLY RESERVED. USE,
 REPRODUCTION OR DISCLOSURE TO THIRD
 PARTIES, OF THE CONTENTS IN ANY FORM,
 WHATSOEVER, IS NOT PERMITTED WITHOUT
 AGREEMENT FROM KNOT.



KNOT SAS 5 rue Baldung Grien 67000 STRASBOURG

| | | | |
|--------------------------|--|-----------|------------|
| General tolerances: / | All dimensions in mm | NAME | DATE |
| Material: | ⊕ | AUTHOR | 04/10/2023 |
| Finish: Brut/ Raw | DESCRIPTION MASTER V6 STANDARD | | |
| FORMAT REFERENCE | | REV | |
| A2 K00000002 | | A | |
| Weight: 3679840.161g | | SHEET 2/2 | |

12

11

10

9

8

7

6

5

4

3

2

1