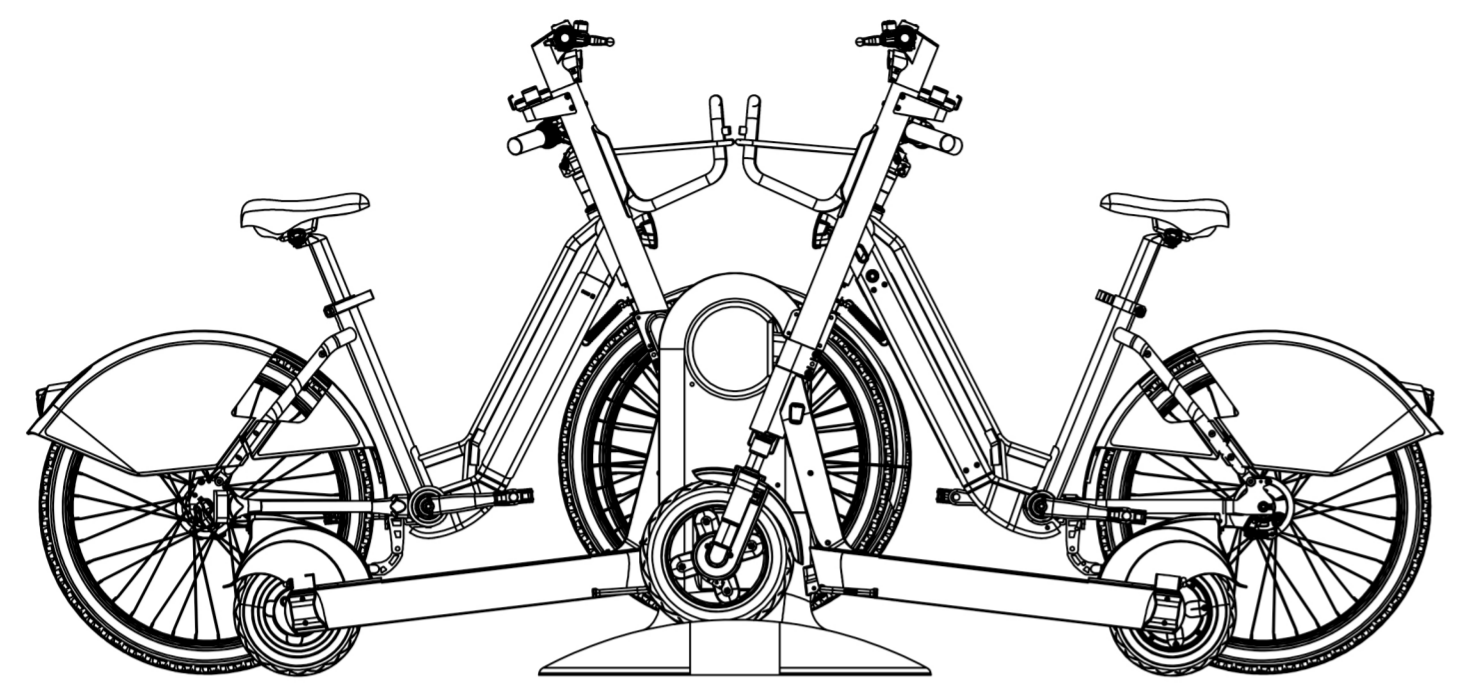
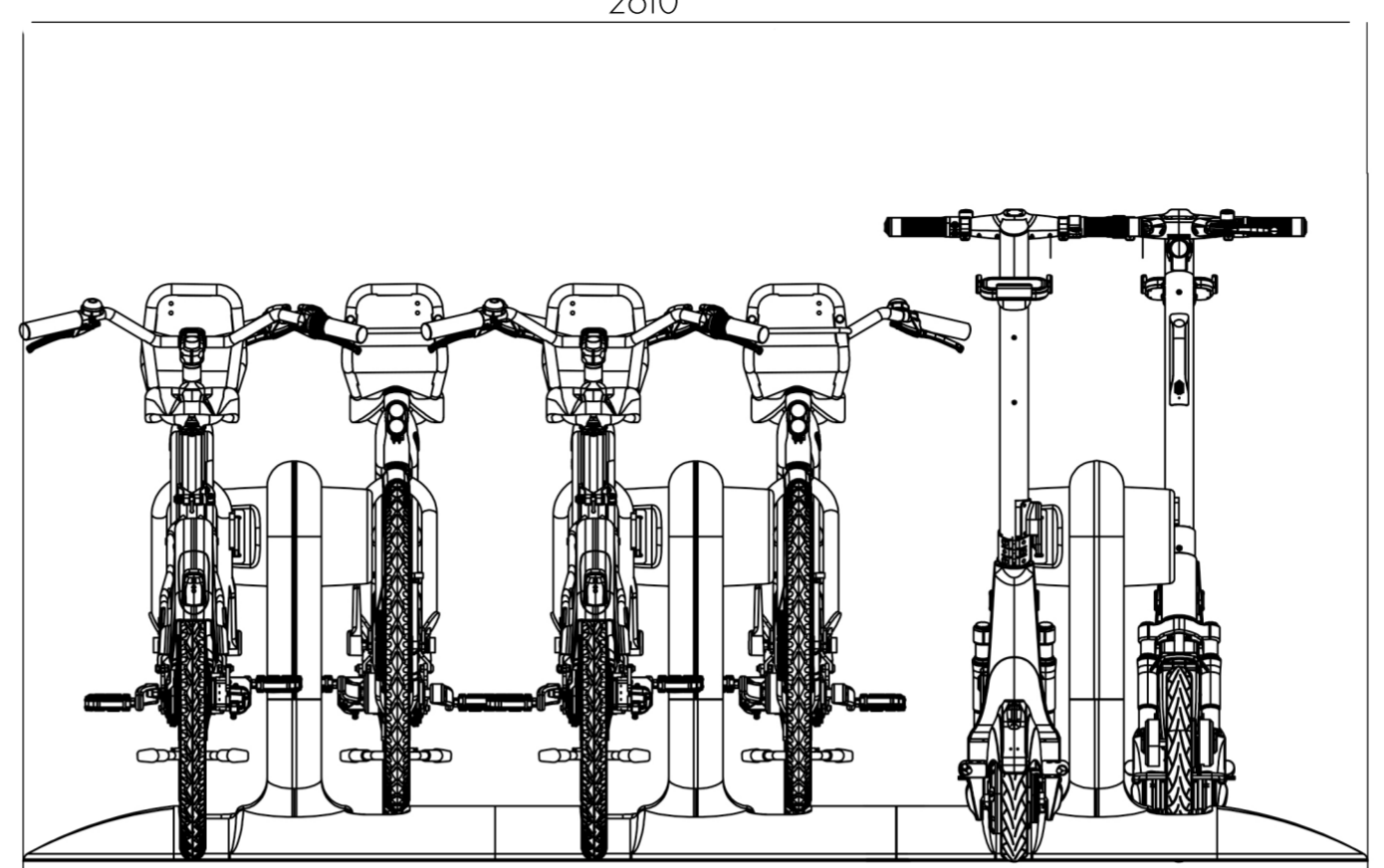


12 11 10 9 8 7 6 5 4 3 2 1

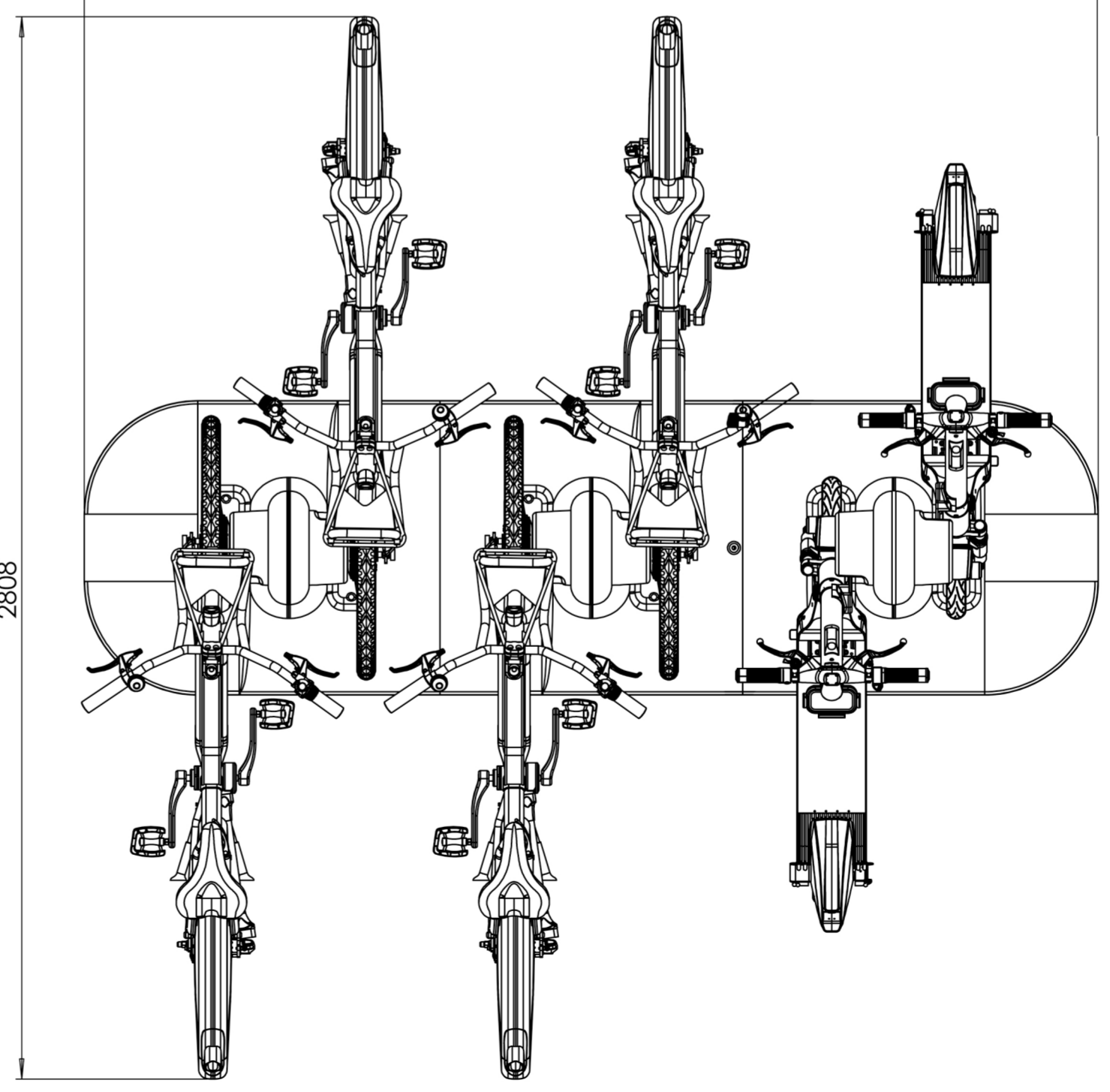
H
G
F
E
D
C
B
A



2610



2808



Nature of revision: Creation			
General tolerances:	Unless otherwise specified dimensions in mm	NAME	DATE
/		AUTHOR	11/05/2023
Material:	DESCRIPTION		
Nature of revision: Creation	PLAN DE MASSE STATION V6		
Finish:	FORMAT	REFERENCE	REV
Brut/ Raw	A2	K0000009	A
Weight: 14617597.271g		SHEET 1/2	

THIS DOCUMENT IS THE PROPERTY OF KNOT
ALL RIGHTS STRICTLY RESERVED. USE,
REPRODUCTION OR DISCLOSURE TO THIRD
PARTIES, OF THE CONTENTS IN ANY FORM,
WHATSOEVER, IS NOT PERMITTED WITHOUT
AGREEMENT FROM KNOT.



KNOT SAS 5 rue Baldung Grien 67000
STRASBOURG

12 11 10 9 8 7 6 5 4 3 2 1 SCALE: 1:15